

**RADIATION HARDENED
POWER MOSFET
THRU-HOLE (Low-Ohmic TO-254AA)**

200V, N-CHANNEL
REF: MIL-PRF-19500/753

R₆ TECHNOLOGY

Product Summary

| Part Number | Radiation Level | RDS(on) | I _D | QPL Part Number |
|-------------|-----------------|---------|----------------|-----------------|
| IRHMS67260 | 100 kRads(Si) | 0.029Ω | 45A* | JANSR2N7584T1 |
| IRHMS63260 | 300 kRads(Si) | 0.029Ω | 45A* | JANSF2N7584T1 |



Description

IR HiRel R6 technology provides high performance power MOSFETs for space applications. These devices have been characterized for both Total Dose and Single Event Effect (SEE) with useful performance up to LET of 90 (MeV/(mg/cm²)). The combination of low RDS(on) and low gate charge reduces the power losses in switching applications such as DC-DC converters and motor controllers. These devices retain all of the well established advantages of MOSFETs such as voltage control, fast switching and temperature stability of electrical

Features

- Low RDS(on)
- Fast Switching
- Single Event Effect (SEE) Hardened
- Low Total Gate Charge
- Simple Drive Requirements
- Hermetically Sealed
- Ceramic Eyelets
- Electrically Isolated
- Light Weight
- ESD Rating: Class 3A per MIL-STD-750, Method 1020

Absolute Maximum Ratings

Pre-Irradiation

| Symbol | Parameter | Value | Units |
|---|---|---|-------|
| I _{D1} @ V _{GS} = 12V, T _C = 25°C | Continuous Drain Current | 45* | A |
| I _{D2} @ V _{GS} = 12V, T _C = 100°C | Continuous Drain Current | 35 | |
| I _{DM} @ T _C = 25°C | Pulsed Drain Current ① | 180 | |
| P _D @ T _C = 25°C | Maximum Power Dissipation | 208 | W |
| | Linear Derating Factor | 1.67 | W/°C |
| V _{GS} | Gate-to-Source Voltage | ± 20 | V |
| E _{AS} | Single Pulse Avalanche Energy ② | 344 | mJ |
| I _{AR} | Avalanche Current ① | 45 | A |
| E _{AR} | Repetitive Avalanche Energy ① | 20.8 | mJ |
| dv/dt | Peak Diode Recovery dv/dt ③ | 5.4 | V/ns |
| T _J T _{STG} | Operating Junction and Storage Temperature Range | -55 to + 150 | °C |
| | Lead Temperature | 300 (0.063 in. /1.6 mm from case for 10s) | |
| | Weight | 9.3 (Typical) | |

*Current is limited by package
For footnotes refer to the page 2.

Electrical Characteristics @ T_j = 25°C (Unless Otherwise Specified)

| Symbol | Parameter | Min. | Typ. | Max. | Units | Test Conditions |
|---------------------------------------|--------------------------------------|------|-------|-------|-------|---|
| BV _{DSS} | Drain-to-Source Breakdown Voltage | 200 | — | — | V | V _{GS} = 0V, I _D = 1.0mA |
| ΔBV _{DSS} /ΔT _J | Breakdown Voltage Temp. Coefficient | — | 0.21 | — | V/°C | Reference to 25°C, I _D = 1.0mA |
| R _{DS(on)} | Static Drain-to-Source On-Resistance | — | — | 0.029 | Ω | V _{GS} = 12V, I _{D2} = 35A ④ |
| V _{GS(th)} | Gate Threshold Voltage | 2.0 | — | 4.0 | V | V _{DS} = V _{GS} , I _D = 1.0mA |
| ΔV _{GS(th)} /ΔT _J | Gate Threshold Voltage Coefficient | — | -11.2 | — | mV/°C | |
| G _{fs} | Forward Transconductance | 40 | — | — | S | V _{DS} = 15V, I _{D2} = 35A ④ |
| I _{DSS} | Zero Gate Voltage Drain Current | — | — | 10 | μA | V _{DS} = 160V, V _{GS} = 0V |
| | | — | — | 25 | | V _{DS} = 160V, V _{GS} = 0V, T _J = 125°C |
| I _{GSS} | Gate-to-Source Leakage Forward | — | — | 100 | nA | V _{GS} = 20V |
| | Gate-to-Source Leakage Reverse | — | — | -100 | | V _{GS} = -20V |
| Q _G | Total Gate Charge | — | — | 240 | nC | I _{D1} = 45A |
| Q _{GS} | Gate-to-Source Charge | — | — | 65 | | V _{DS} = 100V |
| Q _{GD} | Gate-to-Drain ('Miller') Charge | — | — | 60 | | V _{GS} = 12V |
| t _{d(on)} | Turn-On Delay Time | — | — | 40 | ns | V _{DD} = 100V |
| Tr | Rise Time | — | — | 125 | | I _{D1} = 45A |
| t _{d(off)} | Turn-Off Delay Time | — | — | 85 | | R _G = 2.35Ω |
| Tf | Fall Time | — | — | 30 | | V _{GS} = 12V |
| L _S + L _D | Total Inductance | — | 6.8 | — | nH | Measured from Drain lead (6mm / 0.25 in from package) to Source lead (6mm / 0.25 in from package) with Source wire internally bonded from Source pin to Drain pad |
| C _{iss} | Input Capacitance | — | 8045 | — | pF | V _{GS} = 0V |
| C _{oss} | Output Capacitance | — | 953 | — | | V _{DS} = 25V |
| C _{rss} | Reverse Transfer Capacitance | — | 14 | — | | f = 1.0MHz |
| R _G | Gate Resistance | — | 1.1 | — | | Ω |

Source-Drain Diode Ratings and Characteristics

| Symbol | Parameter | Min. | Typ. | Max. | Units | Test Conditions |
|-----------------|--|--|------|------|-------|---|
| I _S | Continuous Source Current (Body Diode) | — | — | 45* | A | |
| I _{SM} | Pulsed Source Current (Body Diode) ① | — | — | 180 | | |
| V _{SD} | Diode Forward Voltage | — | — | 1.2 | V | T _J = 25°C, I _S = 45A, V _{GS} = 0V ④ |
| t _{rr} | Reverse Recovery Time | — | — | 640 | ns | T _J = 25°C, I _F = 45A, V _{DD} ≤ 25V |
| Q _{rr} | Reverse Recovery Charge | — | — | 10.5 | μC | di/dt = 100A/μs ④ |
| t _{on} | Forward Turn-On Time | Intrinsic turn-on time is negligible (turn-on is dominated by L _S +L _D) | | | | |

* Current is limited by package

Thermal Resistance

| Symbol | Parameter | Min. | Typ. | Max. | Units |
|------------------|--|------|------|------|-------|
| R _{θJC} | Junction-to-Case | — | — | 0.60 | °C/W |
| R _{θCS} | Case -to-Sink | — | 0.21 | — | |
| R _{θJA} | Junction-to-Ambient (Typical Socket Mount) | — | — | 48 | |

Footnotes:

- ① Repetitive Rating; Pulse width limited by maximum junction temperature.
- ② V_{DD} = 25V, starting T_J = 25°C, L = 0.34mH, Peak I_L = 45A, V_{GS} = 12V
- ③ I_{SD} ≤ 45A, di/dt ≤ 840A/μs, V_{DD} ≤ 200V, T_J ≤ 150°C
- ④ Pulse width ≤ 300 μs; Duty Cycle ≤ 2%
- ⑤ **Total Dose Irradiation with V_{GS} Bias.** 12 volt V_{GS} applied and V_{DS} = 0 during irradiation per MIL-STD-750, Method 1019, condition A.
- ⑥ **Total Dose Irradiation with V_{DS} Bias.** 160 volt V_{DS} applied and V_{GS} = 0 during irradiation per MIL-STD-750, Method 1019, condition A.

Radiation Characteristics

IR HiRel Radiation Hardened MOSFETs are tested to verify their radiation hardness capability. The hardness assurance program at International Rectifier is comprised of two radiation environments. Every manufacturing lot is tested for total ionizing dose (per notes 5 and 6) using the TO-3 package. Both pre- and post-irradiation performance are tested and specified using the same drive circuitry and test conditions in order to provide a direct comparison.

Table1. Electrical Characteristics @ Tj = 25°C, Post Total Dose Irradiation ⑤⑥

| Symbol | Parameter | Up to 300 kRads(Si) ¹ | | Units | Test Conditions |
|---------------------|---|----------------------------------|-------|-------|--|
| | | Min. | Max. | | |
| BV _{DSS} | Drain-to-Source Breakdown Voltage | 200 | — | V | V _{GS} = 0V, I _D = 1.0mA |
| V _{GS(th)} | Gate Threshold Voltage | 2.0 | 4.0 | V | V _{DS} = V _{GS} , I _D = 1.0mA |
| I _{GSS} | Gate-to-Source Leakage Forward | — | 100 | nA | V _{GS} = 20V |
| I _{GSS} | Gate-to-Source Leakage Reverse | — | -100 | nA | V _{GS} = -20V |
| I _{DSS} | Zero Gate Voltage Drain Current | — | 10 | µA | V _{DS} = 160V, V _{GS} = 0V |
| R _{DS(on)} | Static Drain-to-Source On-State ^④ Resistance (TO-3) | — | 0.029 | Ω | V _{GS} = 12V, I _{D2} = 35A |
| R _{DS(on)} | Static Drain-to-Source On--State ^④ Resistance (Low Ohmic TO-254AA) | — | 0.029 | Ω | V _{GS} = 12V, I _{D2} = 35A |
| V _{SD} | Diode Forward Voltage | — | 1.2 | V | V _{GS} = 0V, I _S = 45A |

1. Part numbers IRHMS67260 (JANSR2N7584T1) and IRHMS63260 (JASF2N7584T1)

IR HiRel radiation hardened MOSFETs have been characterized in heavy ion environment for Single Event Effects (SEE). Single Event Effects characterization is illustrated in Fig. a and Table 2.

Table 2. Typical Single Event Effect Safe Operating Area

| LET (MeV/(mg/cm ²)) | Energy (MeV) | Range (µm) | VDS (V) | | | |
|------------------------------------|-----------------|---------------|------------|-------------|--------------|--------------|
| | | | @ VGS = 0V | @ VGS = -5V | @ VGS = -10V | @ VGS = -15V |
| 42 ± 5% | 2450 ± 5% | 205 ± 5% | 200 | 200 | 200 | 190 |
| 61 ± 5% | 825 ± 5% | 66 ± 7.5% | 200 | 200 | 200 | 190 |
| 90 ± 5% | 1470 ± 5% | 80 ± 5% | 170 | 170 | — | — |

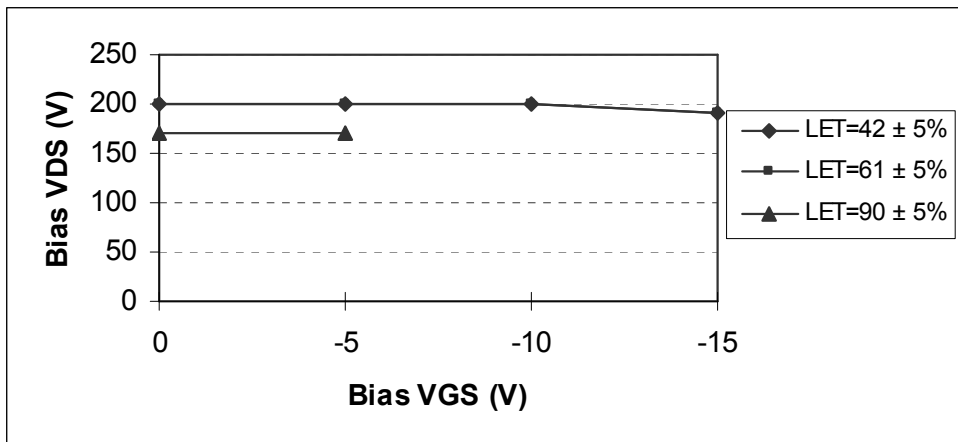


Fig a. Typical Single Event Effect, Safe Operating Area

For footnotes refer to the page 2.

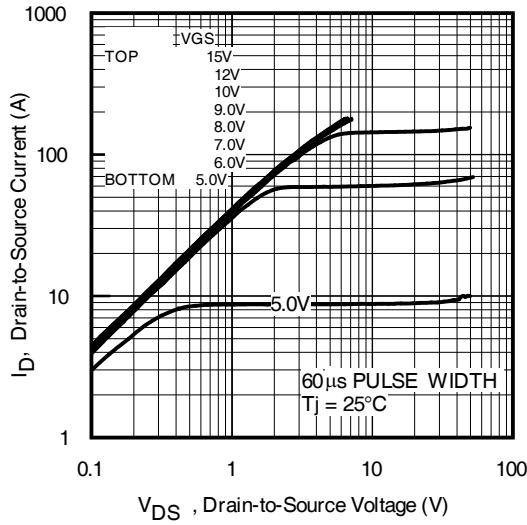


Fig 1. Typical Output Characteristics

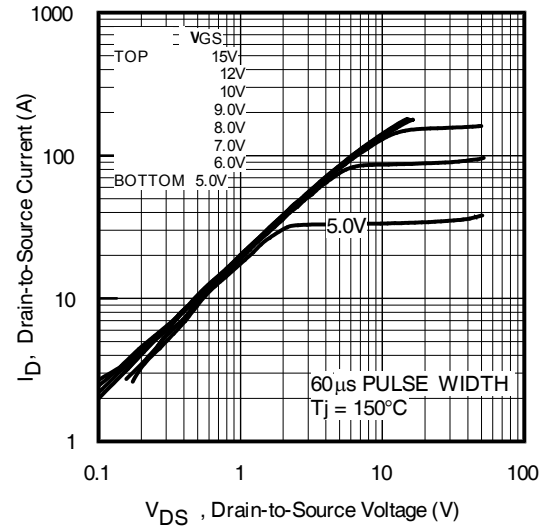


Fig 2. Typical Output Characteristics

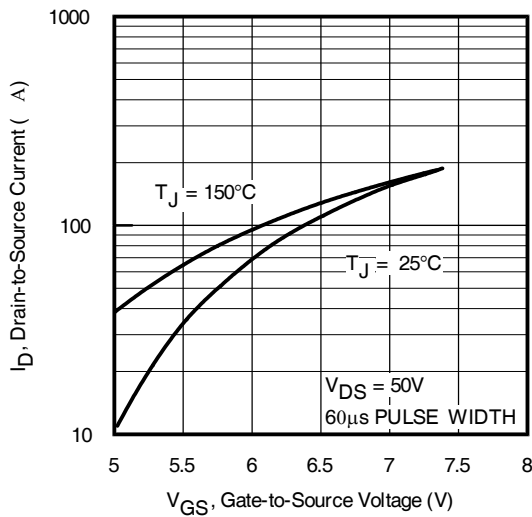


Fig 3. Typical Transfer Characteristics

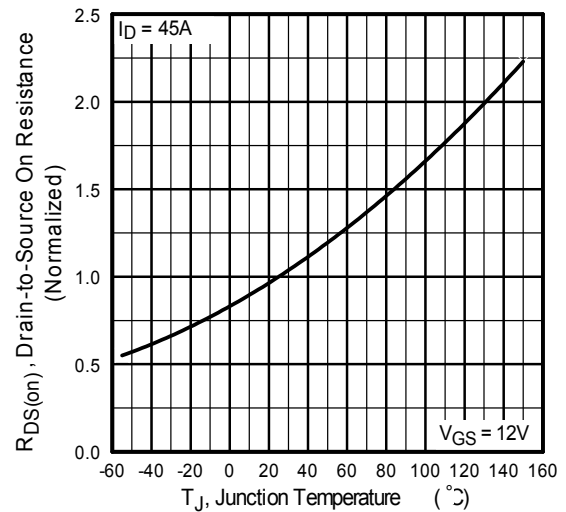


Fig 4. Normalized On-Resistance Vs. Temperature

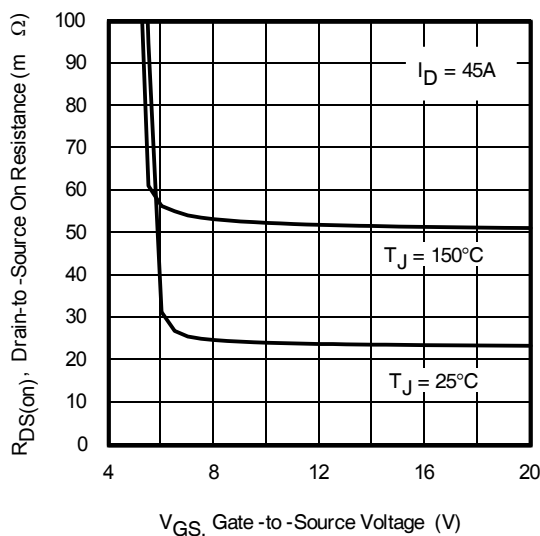


Fig 5. Typical On-Resistance Vs Gate Voltage

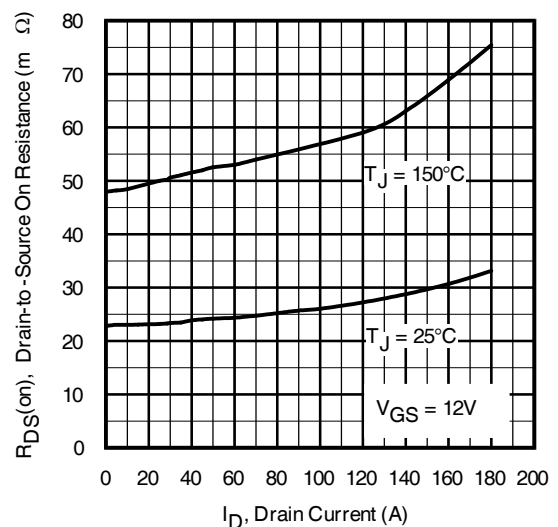


Fig 6. Typical On-Resistance Vs Drain Current

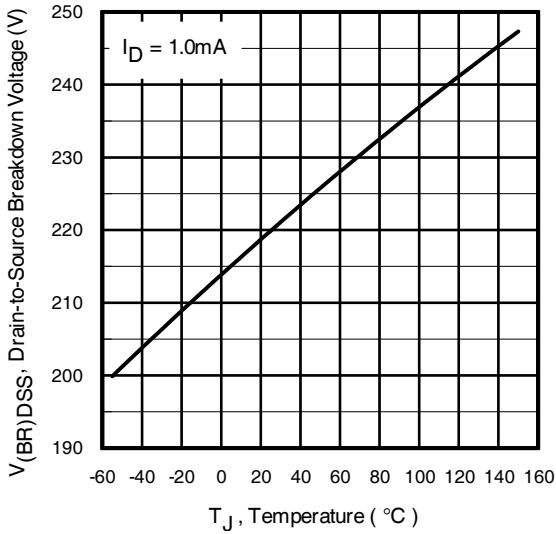


Fig 7. Typical Drain-to-Source Breakdown Voltage Vs Temperature

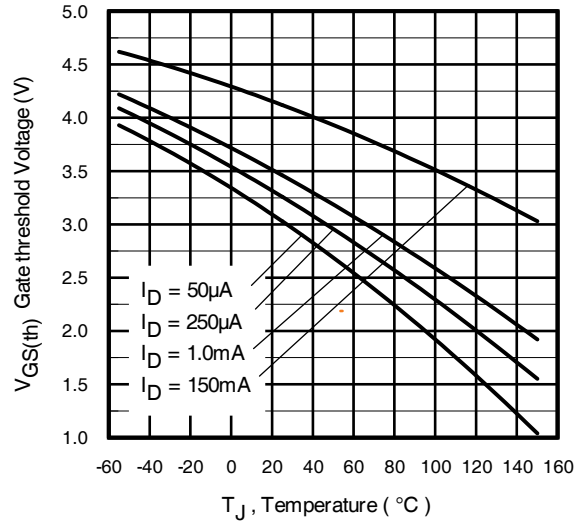


Fig 8. Typical Threshold Voltage Vs Temperature

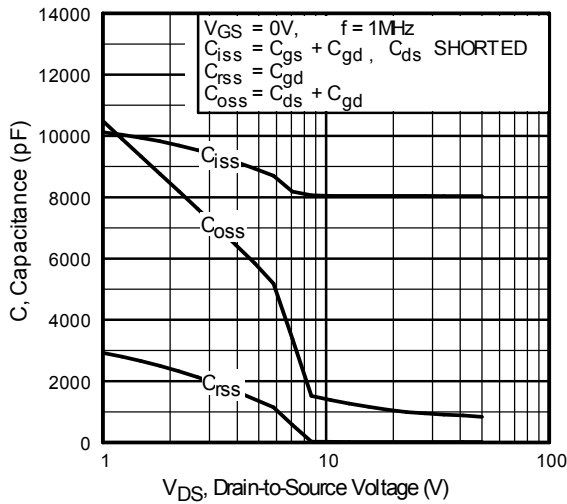


Fig 9. Typical Capacitance Vs. Drain-to-Source Voltage

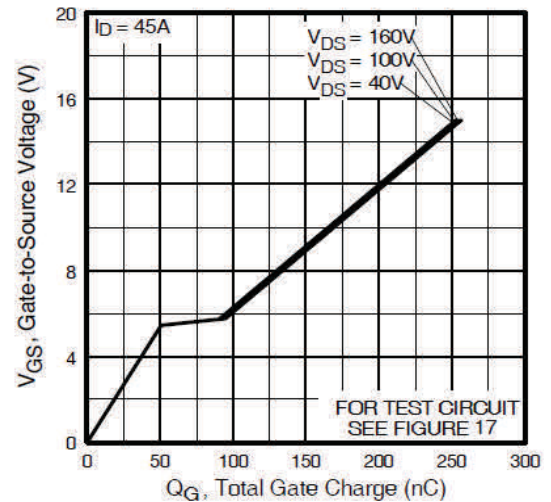


Fig 10. Typical Gate Charge Vs. Gate-to-Source Voltage

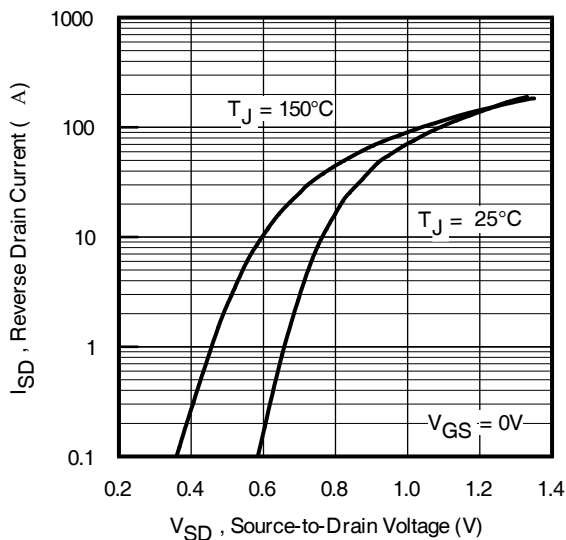


Fig 11. Typical Source-Drain Diode Forward Voltage

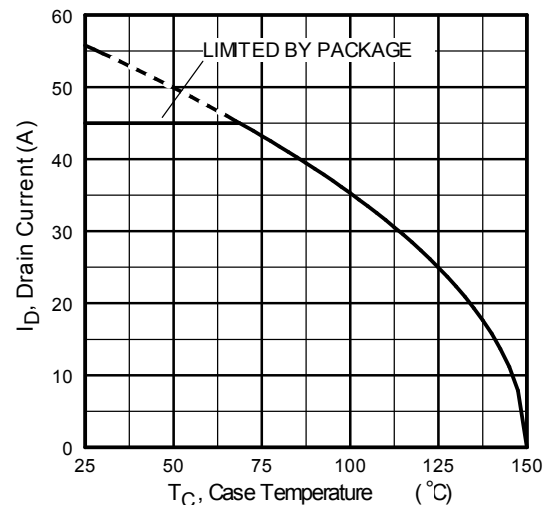


Fig 12. Maximum Drain Current Vs. Case Temperature

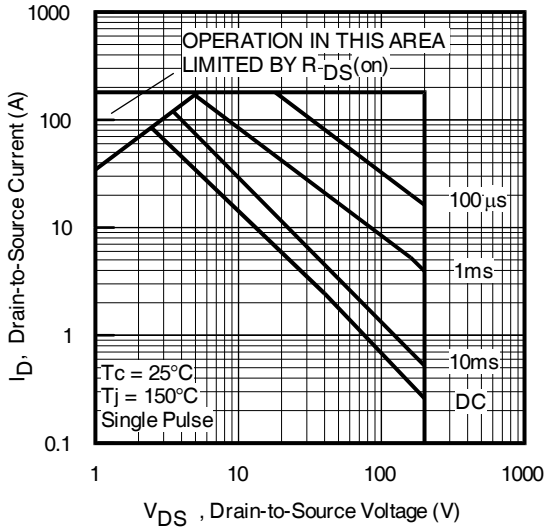


Fig 13. Maximum Safe Operating Area

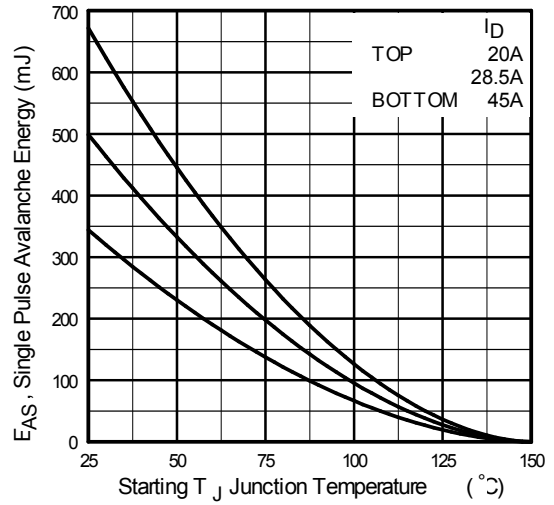


Fig 14. Maximum Avalanche Energy Vs. Drain Current

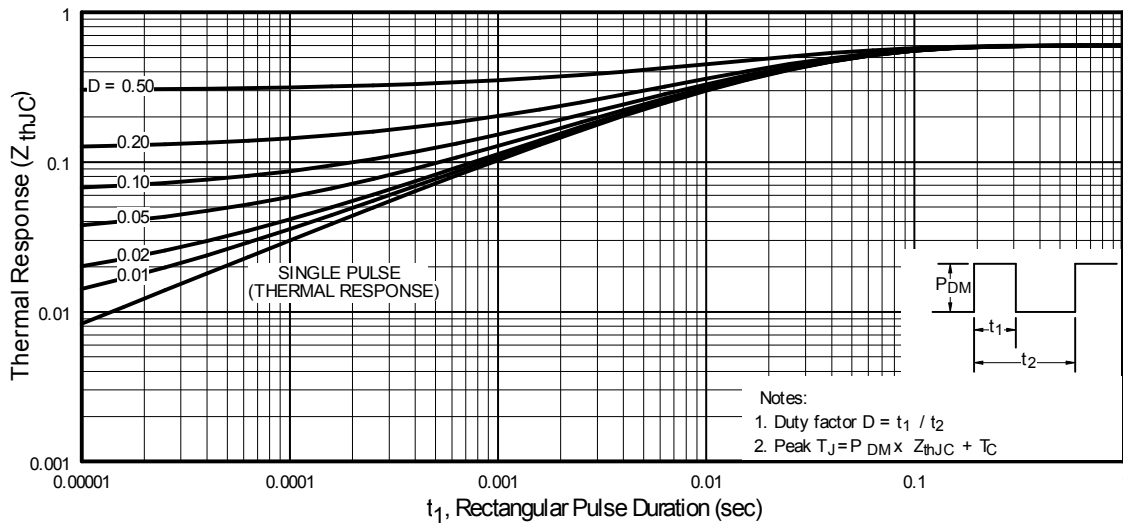


Fig 15. Maximum Effective Transient Thermal Impedance, Junction-to-Case

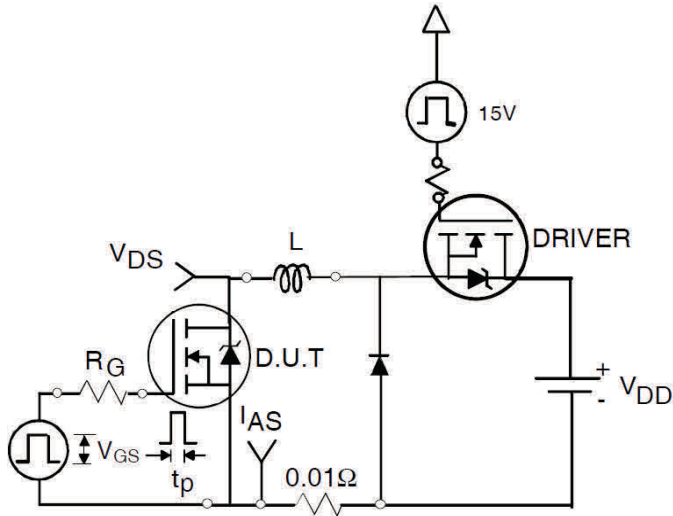


Fig 16a. Unclamped Inductive Test Circuit

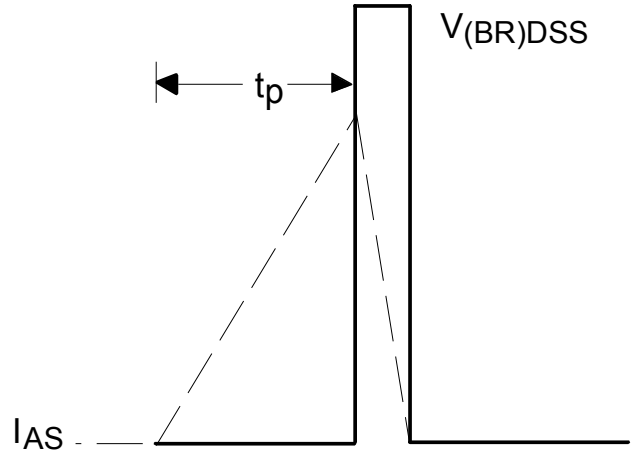


Fig 16b. Unclamped Inductive Waveforms

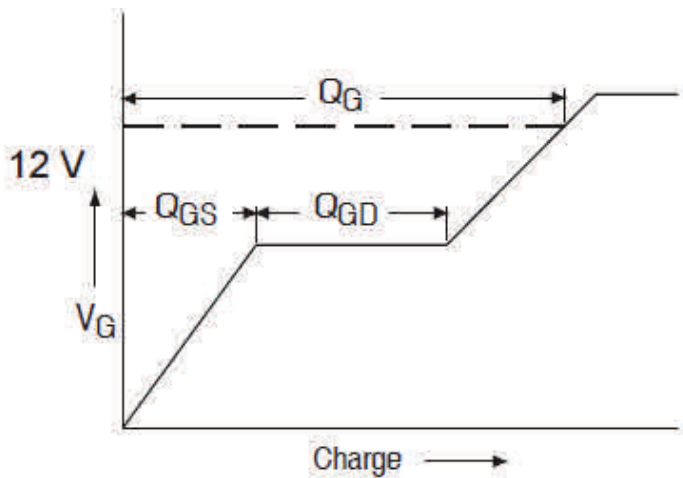


Fig 17a. Gate Charge Waveform

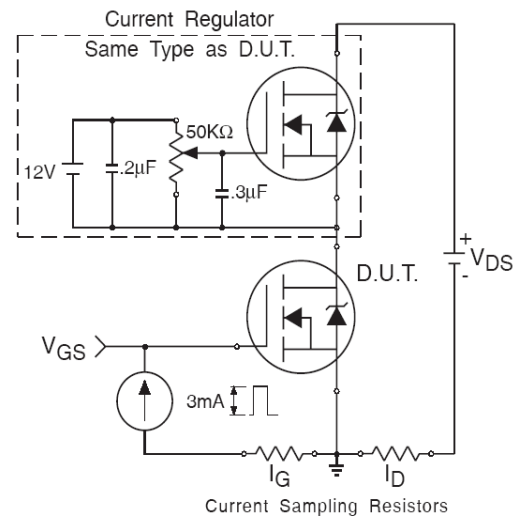


Fig 17b. Gate Charge Test Circuit

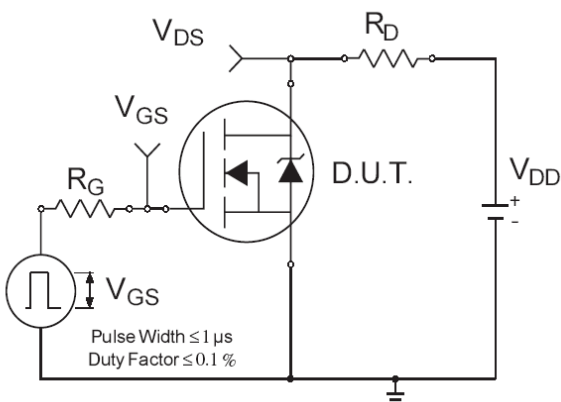


Fig 18a. Switching Time Test Circuit

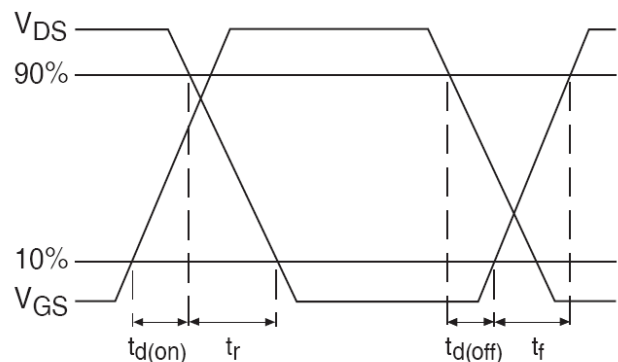
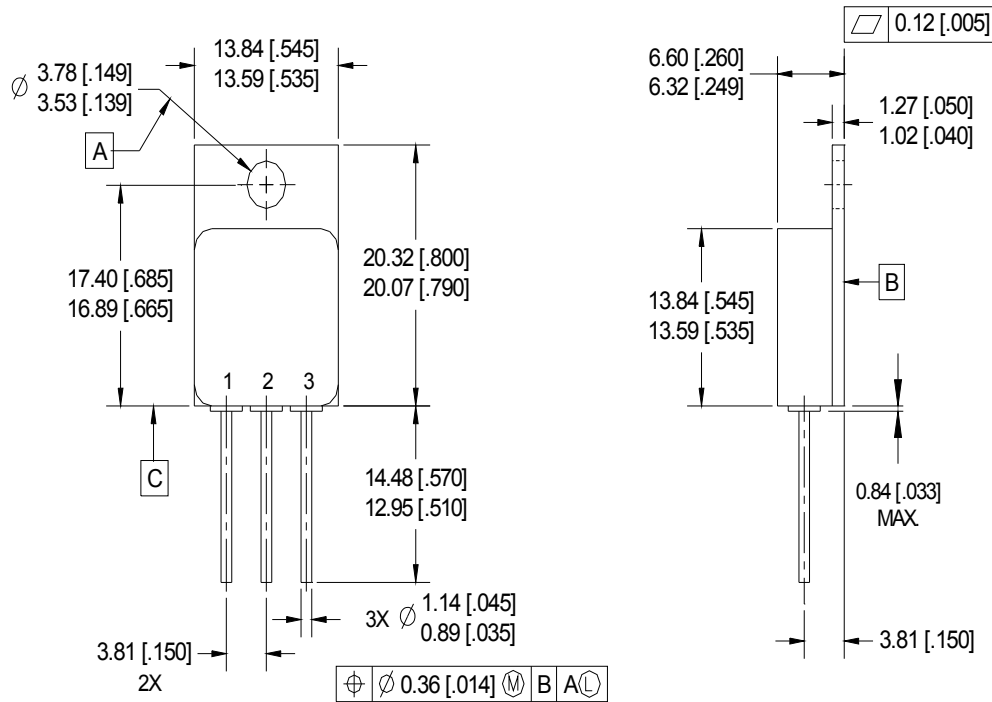


Fig 18b. Switching Time Waveforms

Case Outline and Dimensions - Low-Ohmic TO-254AA



NOTES:

1. DIMENSIONING & TOLERANCING PER ASME Y14.5M-1994.
2. ALL DIMENSIONS ARE SHOWN IN MILLIMETERS [INCHES].
3. CONTROLLING DIMENSION: INCH.
4. CONFORMS TO JEDEC OUTLINE TO-254AA.

PIN ASSIGNMENTS

- 1 = DRAIN
- 2 = SOURCE
- 3 = GATE

BERYLLIA WARNING PER MIL-PRF-19500

Package containing beryllia shall not be ground, sandblasted, machined, or have other operations performed on them which will produce beryllia or beryllium dust. Furthermore, beryllium oxide packages shall not be placed in acids that will produce fumes containing beryllium.

IMPORTANT NOTICE

The information given in this document shall be in no event regarded as guarantee of conditions or characteristic. The data contained herein is a characterization of the component based on internal standards and is intended to demonstrate and provide guidance for typical part performance. It will require further evaluation, qualification and analysis to determine suitability in the application environment to confirm compliance to your system requirements.

With respect to any example hints or any typical values stated herein and/or any information regarding the application of the product, Infineon Technologies hereby disclaims any and all warranties and liabilities of any kind including without limitation warranties on non- infringement of intellectual property rights and any third party.

In addition, any information given in this document is subject to customer's compliance with its obligations stated in this document and any applicable legal requirements, norms and standards concerning customer's product and any use of the product of Infineon Technologies in customer's applications.

The data contained in this document is exclusively intended for technically trained staff. It is the responsibility of any customer's technical departments to evaluate the suitability of the product for the intended applications and the completeness of the product information given in this document with respect to applications.

For further information on the product, technology, delivery terms and conditions and prices, please contact your local sales representative or go to (www.infineon.com/hirel).

WARNING

Due to technical requirements products may contain dangerous substances. For information on the types in question, please contact your nearest Infineon Technologies office.