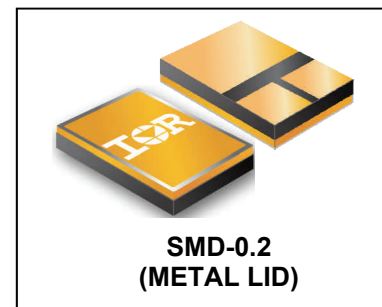


**RADIATION HARDENED
POWER MOSFET
SURFACE MOUNT (SMD-0.2)**
100V, N-CHANNEL
REF: MIL-PRF-19500/743

Product Summary

Part Number	Radiation Level	RDS(on)	I _D	QPL Part Number
IRHNM57110	100 kRads(Si)	0.22Ω	6.9A	JANSR2N7503U8
IRHNM53110	300 kRads(Si)	0.22Ω	6.9A	JANSF2N7503U8
IRHNM55110	500 kRads(Si)	0.22Ω	6.9A	JANSG2N7503U8
IRHNM58110	1000 kRads(Si)	0.22Ω	6.9A	JANSH2N7503U8

Refer to page 9 for additional part number-
IRHNMC57110 (Ceramic Lid)


Description

IR HiRel R5 technology provides high performance power MOSFETs for space applications. These devices have been characterized for Single Event Effects (SEE) with useful performance up to an LET of 80 (MeV/(mg/cm²)). The combination of low R_{ds(on)} and low gate charge reduces the power losses in switching applications such as DC to DC converters and motor control. These devices retain all of the well established advantages of MOSFETs such as voltage control, fast switching and temperature

Features

- Single Event Effect (SEE) Hardened
- Low RDS(on)
- Low Total Gate Charge
- Simple Drive Requirements
- Hermetically Sealed
- Surface Mount
- Ceramic Package
- Light Weight
- Complimentary P-Channel Available - IRHNM597110, IRHNMC597110

Absolute Maximum Ratings

Symbol	Parameter	Value	Units	Pre-Irradiation
I _{D1} @ V _{GS} = 12V, T _C = 25°C	Continuous Drain Current	6.9		
I _{D2} @ V _{GS} = 12V, T _C = 100°C	Continuous Drain Current	4.4		A
I _{DM} @ T _C = 25°C	Pulsed Drain Current ①	27.6		
P _D @ T _C = 25°C	Maximum Power Dissipation	23		W
	Linear Derating Factor	0.18		W/°C
V _{GS}	Gate-to-Source Voltage	± 20		V
E _{AS}	Single Pulse Avalanche Energy ②	24		mJ
I _{AR}	Avalanche Current ①	6.9		A
E _{AR}	Repetitive Avalanche Energy ①	2.3		mJ
dv/dt	Peak Diode Recovery dv/dt ③	11.5		V/ns
T _J T _{STG}	Operating Junction and Storage Temperature Range	-55 to + 150		°C
	Lead Temperature	300 (for 5s)		
	Weight	0.25 (Typical)		g

For footnotes refer to the page 2.

Electrical Characteristics @ T_j = 25°C (Unless Otherwise Specified)

Symbol	Parameter	Min.	Typ.	Max.	Units	Test Conditions
BV _{DSS}	Drain-to-Source Breakdown Voltage	100	—	—	V	V _{GS} = 0V, I _D = 1.0mA
ΔBV _{DSS} /ΔT _J	Breakdown Voltage Temp. Coefficient	—	0.13	—	V/°C	Reference to 25°C, I _D = 1.0mA
R _{DS(on)}	Static Drain-to-Source On-Resistance	—	—	0.22	Ω	V _{GS} = 12V, I _{D2} = 4.4A ④
V _{GS(th)}	Gate Threshold Voltage	2.0	—	4.0	V	V _{DS} = V _{GS} , I _D = 1.0mA
ΔV _{GS(th)} /ΔT _J	Gate Threshold Voltage Coefficient	—	-7.5	—	mV/°C	
G _{fs}	Forward Transconductance	3.6	—	—	S	V _{DS} = 15V, I _{D2} = 4.4A ④
I _{DSS}	Zero Gate Voltage Drain Current	—	—	10	μA	V _{DS} = 80V, V _{GS} = 0V
		—	—	25		V _{DS} = 80V, V _{GS} = 0V, T _J = 125°C
I _{GSS}	Gate-to-Source Leakage Forward	—	—	100	nA	V _{GS} = 20V
	Gate-to-Source Leakage Reverse	—	—	-100		V _{GS} = -20V
Q _G	Total Gate Charge	—	—	15	nC	I _{D1} = 6.9A
Q _{GS}	Gate-to-Source Charge	—	—	4.0		V _{DS} = 50V
Q _{GD}	Gate-to-Drain ('Miller') Charge	—	—	5.0		V _{GS} = 12V
t _{d(on)}	Turn-On Delay Time	—	—	6.6	ns	V _{DD} = 50V
Tr	Rise Time	—	—	8.0		I _{D1} = 6.9A
t _{d(off)}	Turn-Off Delay Time	—	—	34		R _G = 7.5Ω
Tf	Fall Time	—	—	15		V _{GS} = 12V
L _S + L _D	Total Inductance	—	6.8	—	nH	Measured from Drain lead (6mm / 0.25 in from package) to Source lead (6mm / 0.25 in from package) with Source wire internally bonded from Source pin to Drain pad
C _{iss}	Input Capacitance	—	378	—	pF	V _{GS} = 0V
C _{oss}	Output Capacitance	—	108	—		V _{DS} = 25V
C _{rss}	Reverse Transfer Capacitance	—	2.3	—		f = 100KHz
R _G	Gate Resistance	—	8.0	—	Ω	f = 1.0MHz, open drain

Source-Drain Diode Ratings and Characteristics

Symbol	Parameter	Min.	Typ.	Max.	Units	Test Conditions
I _S	Continuous Source Current (Body Diode)	—	—	6.9	A	
I _{SM}	Pulsed Source Current (Body Diode) ①	—	—	27.6		
V _{SD}	Diode Forward Voltage	—	—	1.2	V	T _J = 25°C, I _S = 6.9A, V _{GS} = 0V ④
t _{rr}	Reverse Recovery Time	—	—	144	ns	T _J = 25°C, I _F = 6.9A, V _{DD} ≤ 50V di/dt = 100A/μs ④
Q _{rr}	Reverse Recovery Charge	—	—	633	nC	
t _{on}	Forward Turn-On Time	Intrinsic turn-on time is negligible (turn-on is dominated by L _S +L _D)				

Thermal Resistance

Symbol	Parameter	Min.	Typ.	Max.	Units
R _{θJC}	Junction-to-Case	—	—	5.4	°C/W

Footnotes:

- ① Repetitive Rating; Pulse width limited by maximum junction temperature.
- ② V_{DD} = 50V, starting T_J = 25°C, L = 1.0mH, Peak I_L = 6.9A, V_{GS} = 12V
- ③ I_{SD} ≤ 6.9A, di/dt ≤ 560A/μs, V_{DD} ≤ 100V, T_J ≤ 150°C
- ④ Pulse width ≤ 300 μs; Duty Cycle ≤ 2%
- ⑤ Total Dose Irradiation with V_{GS} Bias. 12 volt V_{GS} applied and V_{DS} = 0 during irradiation per MIL-STD-750, Method 1019, condition A.
- ⑥ Total Dose Irradiation with V_{DS} Bias. 80 volt V_{DS} applied and V_{GS} = 0 during irradiation per MIL-STD-750, Method 1019, condition A.

Radiation Characteristics

IR HiRel Radiation Hardened MOSFETs are tested to verify their radiation hardness capability. The hardness assurance program at International Rectifier is comprised of two radiation environments. Every manufacturing lot is tested for total ionizing dose (per notes 5 and 6) using the TO-3 package. Both pre- and post-irradiation performance are tested and specified using the same drive circuitry and test conditions in order to provide a direct comparison.

Table1. Electrical Characteristics @ Tj = 25°C, Post Total Dose Irradiation ⑤⑥

Symbol	Parameter	Up to 500 kRads (Si) ¹		1000 kRads (Si) ²		Units	Test Conditions
		Min.	Max.	Min.	Max.		
BV _{DSS}	Drain-to-Source Breakdown Voltage	100	—	100	—	V	V _{GS} = 0V, I _D = 1.0mA
V _{GS(th)}	Gate Threshold Voltage	2.0	4.0	1.5	4.0	V	V _{DS} = V _{GS} , I _D = 1.0mA
I _{GSS}	Gate-to-Source Leakage Forward	—	100	—	100	nA	V _{GS} = 20V
I _{GSS}	Gate-to-Source Leakage Reverse	—	-100	—	-100	nA	V _{GS} = -20V
I _{DSS}	Zero Gate Voltage Drain Current	—	10	—	10	μA	V _{DS} = 48V, V _{GS} = 0V
R _{DS(on)}	Static Drain-to-Source ④ On-State Resistance (TO - 3)	—	0.226	—	0.246	Ω	V _{GS} = 12V, I _{D2} = 4.4A
R _{DS(on)}	Static Drain-to-Source ④ On-State Resistance (SMD – 0.2)	—	0.226	—	0.246	Ω	V _{GS} = 12V, I _{D2} = 4.4A
V _{SD}	Diode Forward Voltage ④	—	1.2	—	1.2	V	V _{GS} = 0V, I _S = 6.9A

1. Part numbers IRHNM57110 (JANSR2N7503U8), IRHNM53110 (JANSF2N7503U8), and IRHNM55110 (JANSR2N7503U8),
2. Part numbers IRHNM58110 (JANSH2N7503U8)

IR HiRel radiation hardened MOSFETs have been characterized in heavy ion environment for Single Event Effects (SEE). Single Event Effects characterization is illustrated in Fig. a and Table 2.

Table 2. Typical Single Event Effect Safe Operating Area

LET (MeV/(mg/cm ²))	Energy (MeV)	Range (μm)	VDS (V)				
			@ VGS = 0V	@ VGS = -5V	@ VGS = -10V	@ VGS = -15V	@ VGS = -20V
38 ± 5%	300 ± 7.5%	38 ± 7.5%	100	100	100	100	100
61 ± 5%	330 ± 7.5%	31 ± 10%	100	100	100	35	25
84 ± 5%	350 ± 10%	28 ± 7.5%	100	100	80	25	—

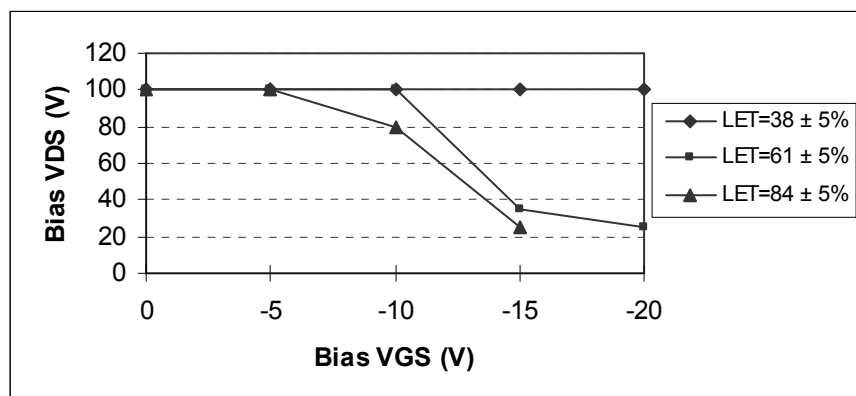


Fig a. Typical Single Event Effect, Safe Operating Area

For footnotes refer to the page 2.

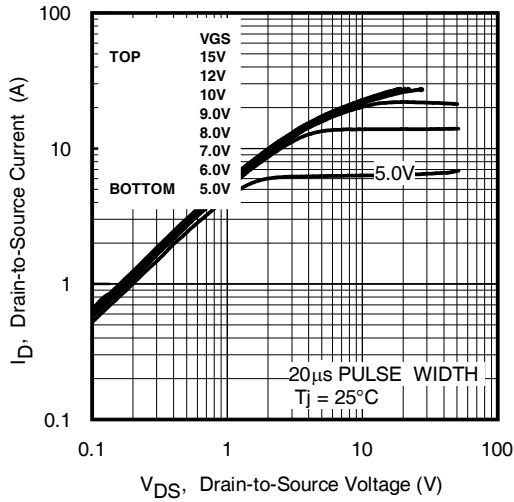


Fig 1. Typical Output Characteristics

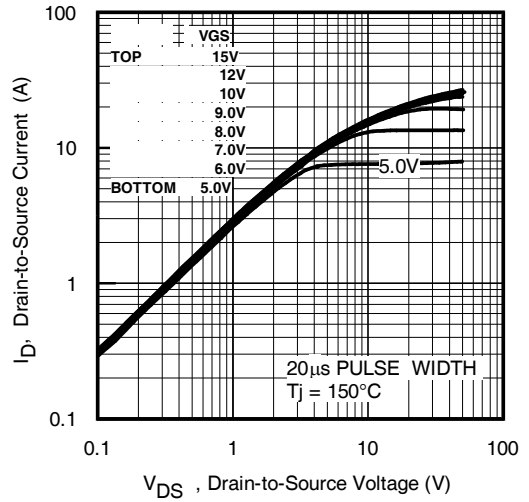


Fig 2. Typical Output Characteristics

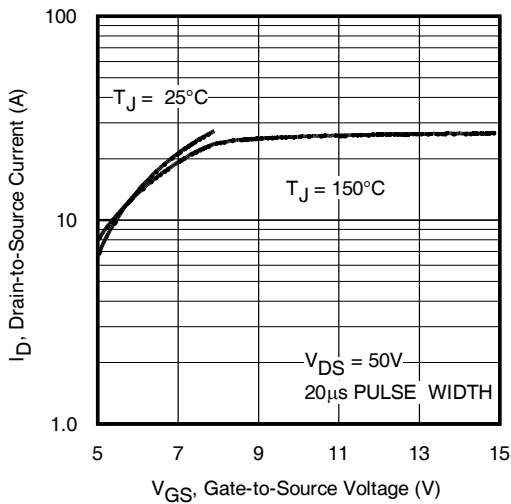


Fig 3. Typical Transfer Characteristics

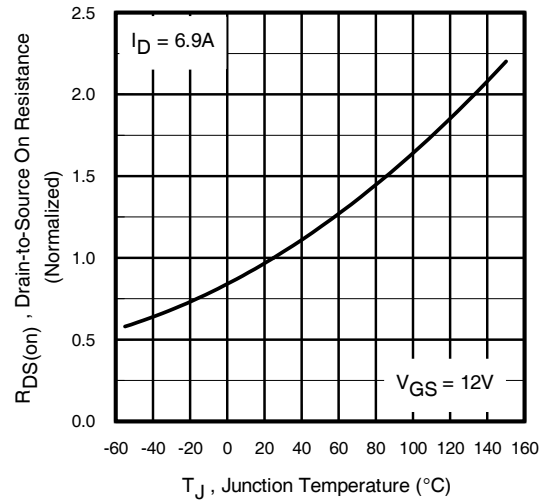


Fig 4. Normalized On-Resistance Vs. Temperature

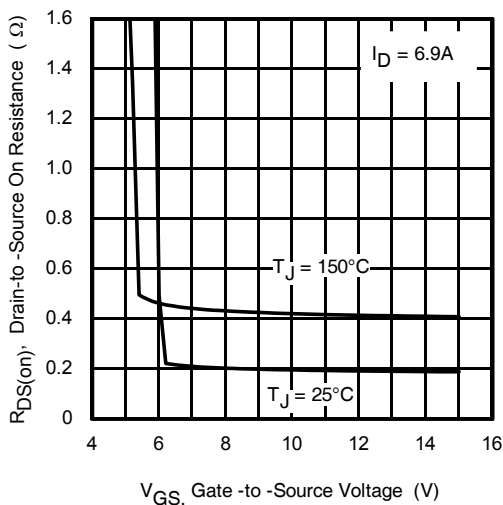


Fig 5. Typical On-Resistance Vs Gate Voltage

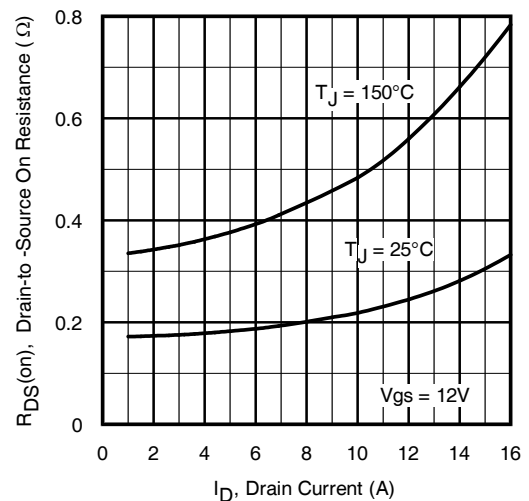


Fig 6. Typical On-Resistance Vs Drain Current

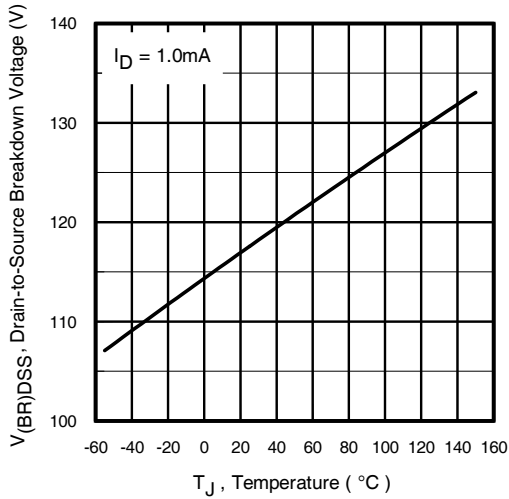


Fig 7. Typical Drain-to-Source Breakdown Voltage Vs Temperature

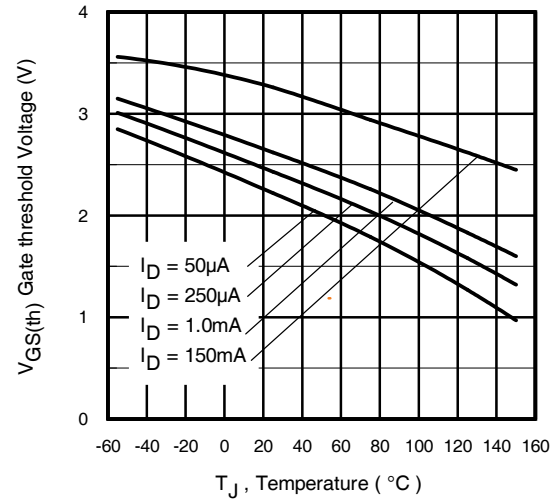


Fig 8. Typical Threshold Voltage Vs Temperature

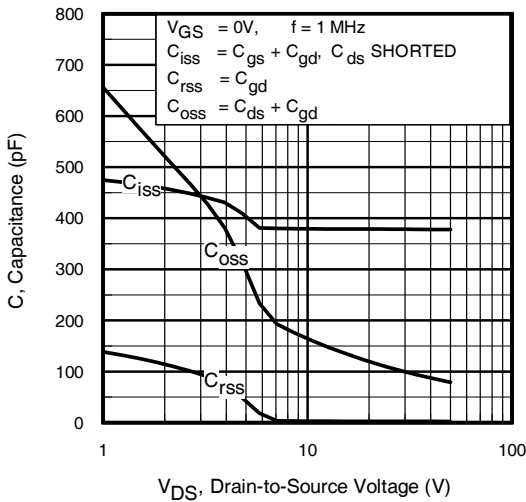


Fig 9. Typical Capacitance Vs. Drain-to-Source Voltage

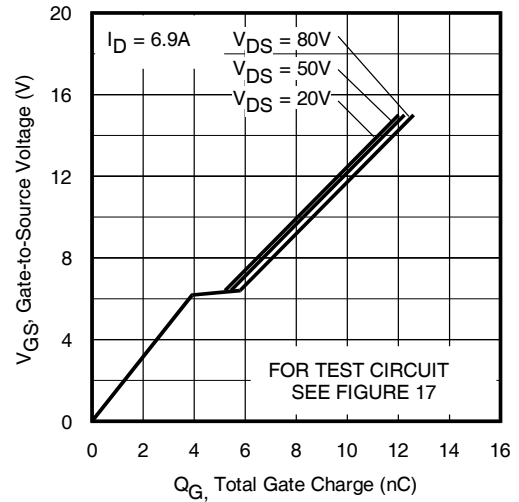


Fig 10. Typical Gate Charge Vs. Gate-to-Source Voltage

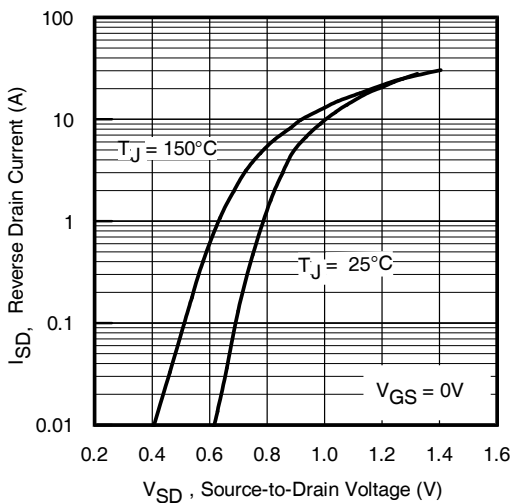


Fig 11. Typical Source-Drain Diode Forward Voltage

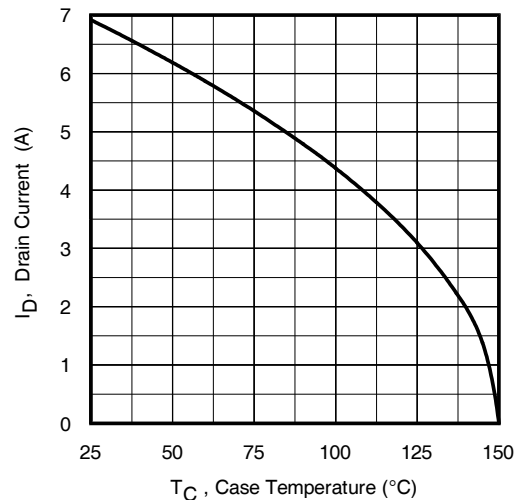


Fig 12. Maximum Drain Current Vs. Case Temperature

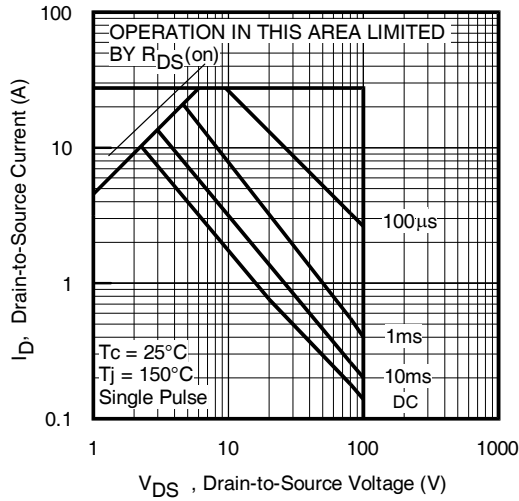


Fig 13. Maximum Safe Operating Area

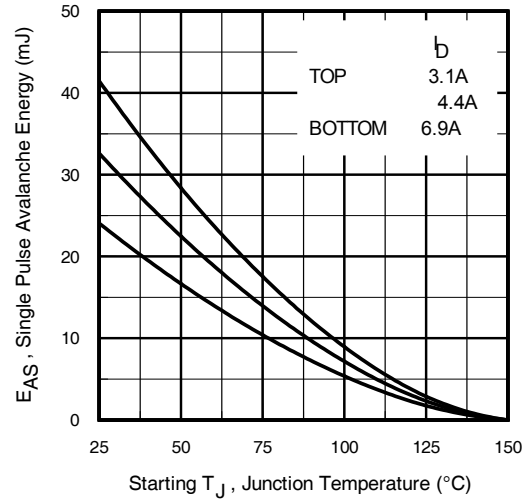


Fig 14. Maximum Avalanche Energy Vs. Drain Current

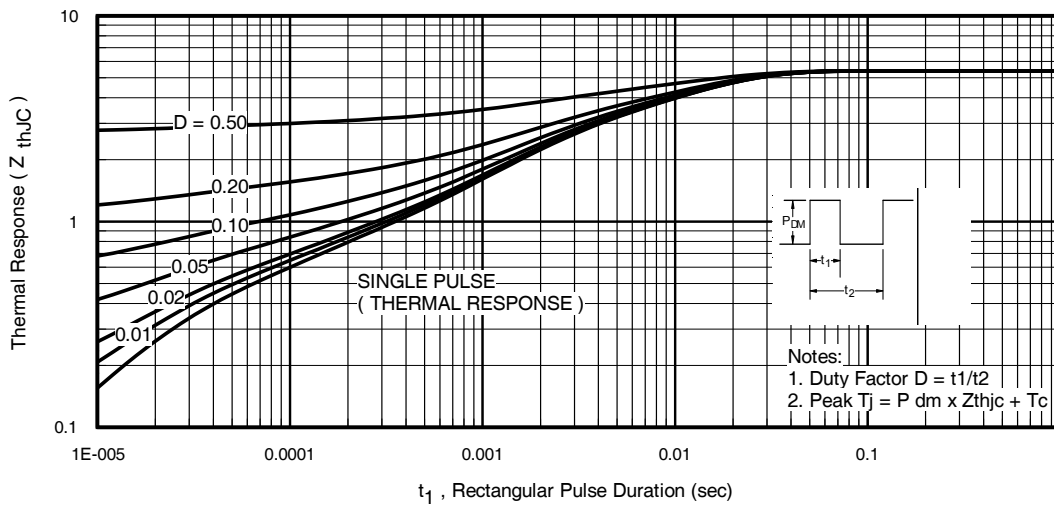


Fig 15. Maximum Effective Transient Thermal Impedance, Junction-to-Case

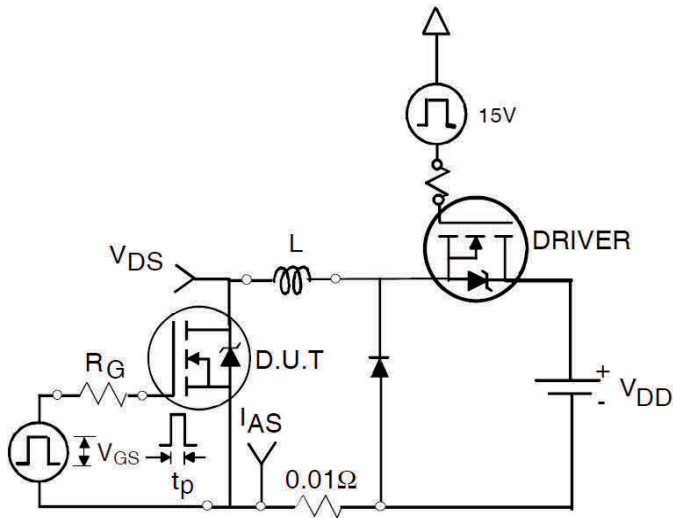


Fig 16a. Unclamped Inductive Test Circuit

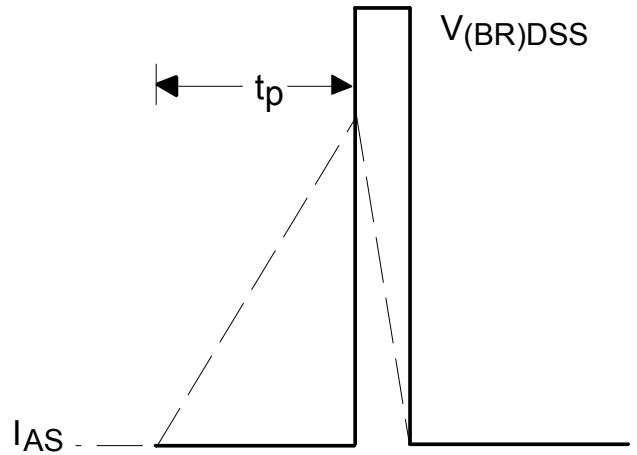


Fig 16b. Unclamped Inductive Waveforms

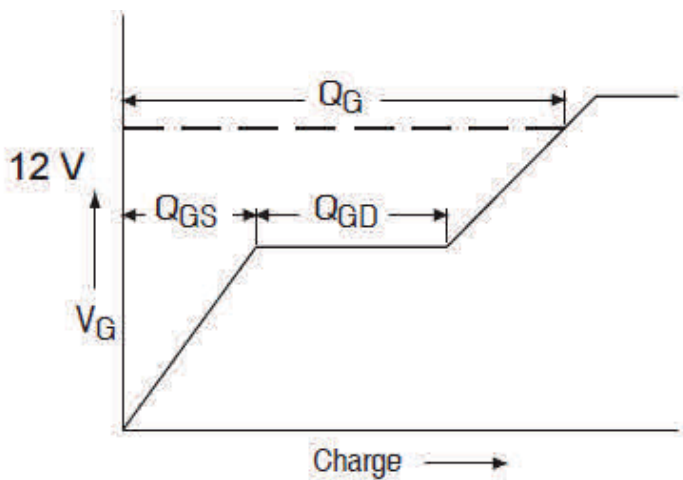


Fig 17a. Gate Charge Waveform

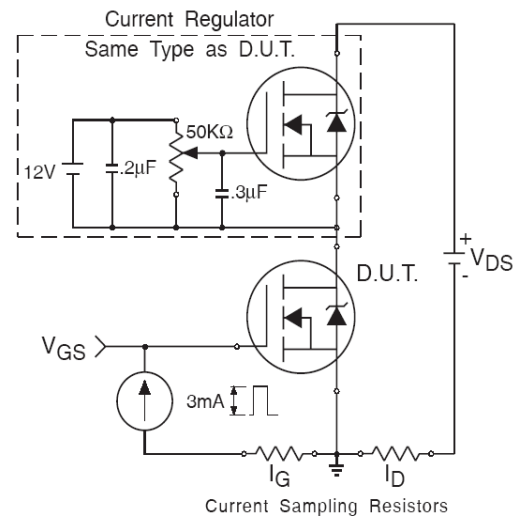


Fig 17b. Gate Charge Test Circuit

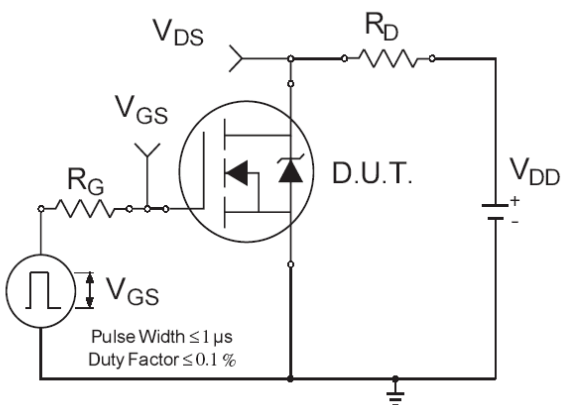


Fig 18a. Switching Time Test Circuit

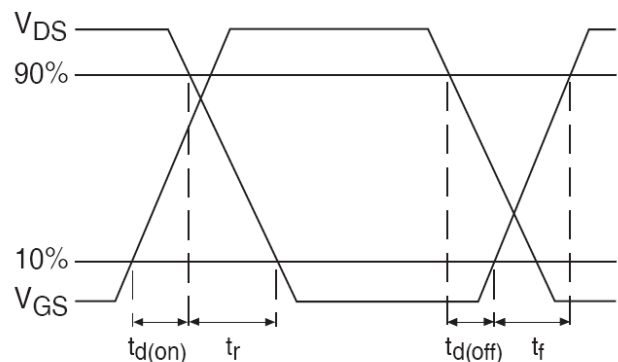
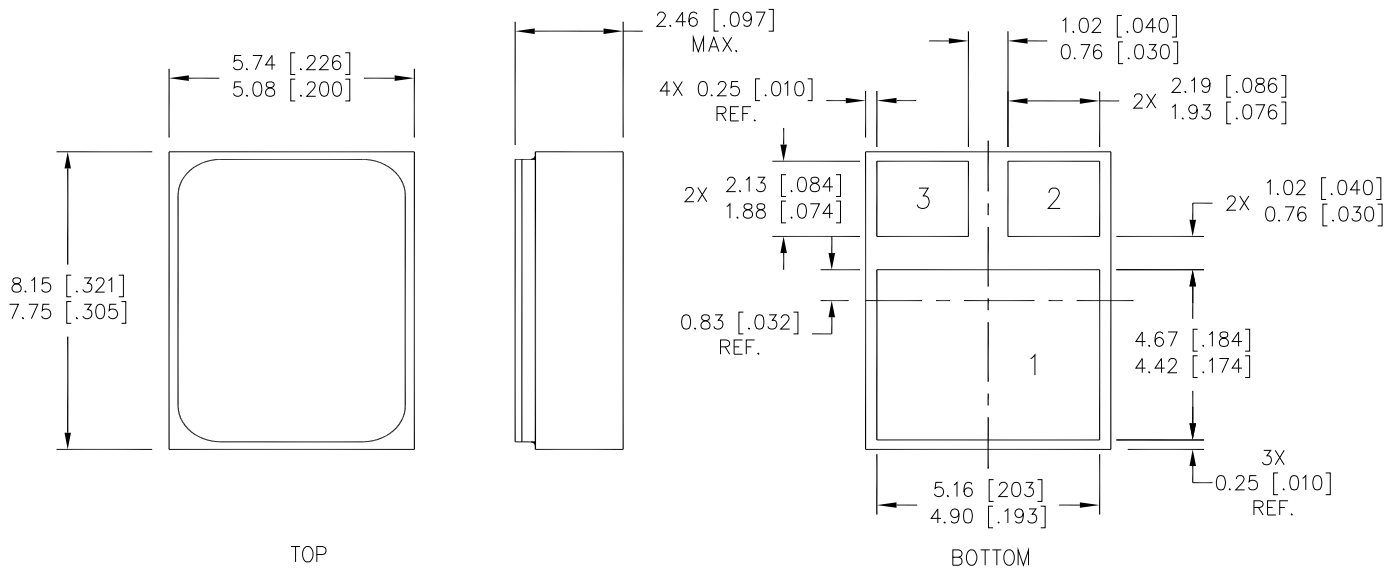


Fig 18b. Switching Time Waveforms

Case Outline and Dimensions - SMD-0.2 (Metal Lid)



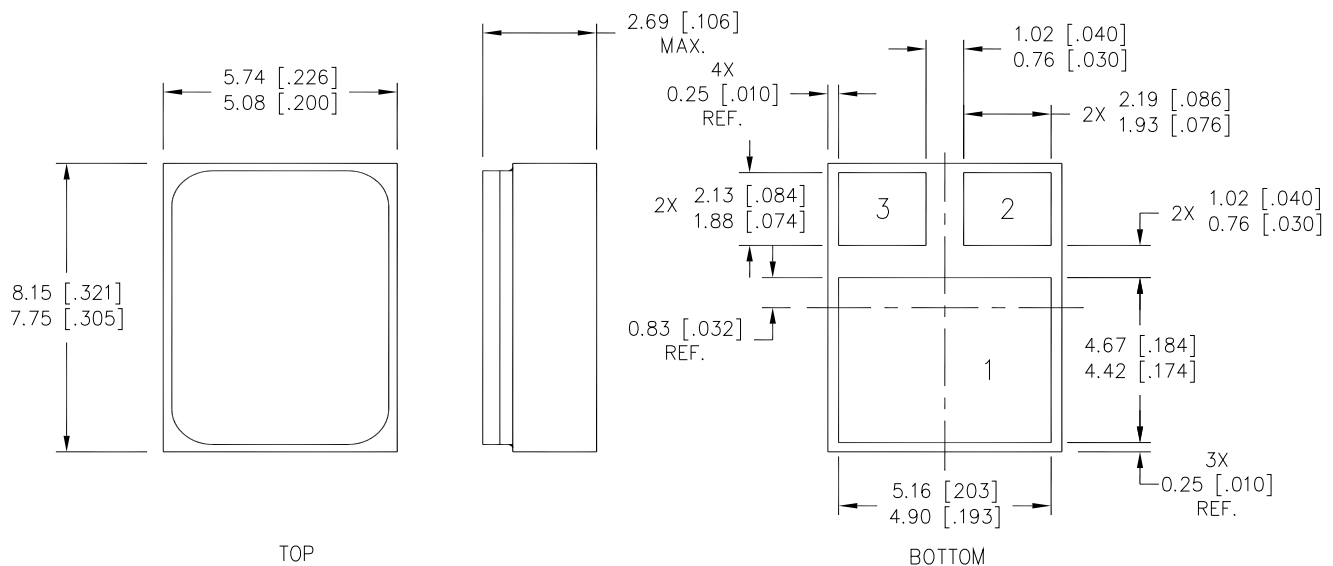
NOTES:

1. DIMENSIONING & TOLERANCING PER ASME Y14.5M-1994.
2. CONTROLLING DIMENSION: INCH.
3. DIMENSIONS ARE SHOWN IN INCHES [MILLIMETERS].

PAD ASSIGNMENTS

- 1 = DRAIN
- 2 = GATE
- 3 = SOURCE

Case Outline and Dimensions - SMD-0.2 (Ceramic Lid)



NOTES:


1. DIMENSIONING & TOLERANCING PER ASME Y14.5M-1994.
2. CONTROLLING DIMENSION: INCH.
3. DIMENSIONS ARE SHOWN IN MILLIMETERS [INCHES].

PAD ASSIGNMENTS

- 1 = DRAIN
- 2 = GATE
- 3 = SOURCE

Additional Product Summary (continued from pages 1 and 3)

Product Summary

Part Number	Radiation Level	RDS(on)	I _D	QPL Part Number	 <p>SMD-0.2 (CERAMIC LID)</p>
IRHNMC57110	100 kRads(Si)	0.22Ω	6.9A	JANSR2N7503U8C	
IRHNMC53110	300 kRads(Si)	0.22Ω	6.9A	JANSF2N7503U8C	
IRHNMC55110	500 kRads(Si)	0.22Ω	6.9A	JANSG2N7503U8C	
IRHNMC58110	1000 kRads(Si)	0.22Ω	6.9A	JANSH2N7503U8C	

IMPORTANT NOTICE

The information given in this document shall be in no event regarded as guarantee of conditions or characteristic. The data contained herein is a characterization of the component based on internal standards and is intended to demonstrate and provide guidance for typical part performance. It will require further evaluation, qualification and analysis to determine suitability in the application environment to confirm compliance to your system requirements.

With respect to any example hints or any typical values stated herein and/or any information regarding the application of the product, Infineon Technologies hereby disclaims any and all warranties and liabilities of any kind including without limitation warranties on non- infringement of intellectual property rights and any third party.

In addition, any information given in this document is subject to customer's compliance with its obligations stated in this document and any applicable legal requirements, norms and standards concerning customer's product and any use of the product of Infineon Technologies in customer's applications.

The data contained in this document is exclusively intended for technically trained staff. It is the responsibility of any customer's technical departments to evaluate the suitability of the product for the intended applications and the completeness of the product information given in this document with respect to applications.

For further information on the product, technology, delivery terms and conditions and prices, please contact your local sales representative or go to (www.infineon.com/hirel).

WARNING

Due to technical requirements products may contain dangerous substances. For information on the types in question, please contact your nearest Infineon Technologies office.